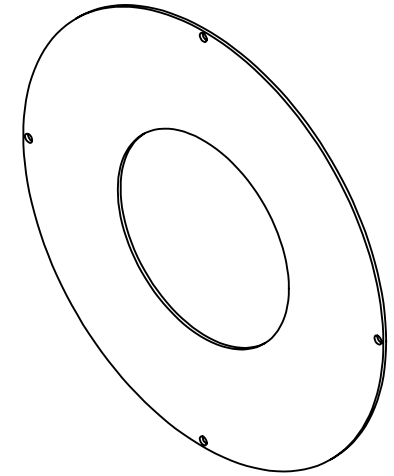
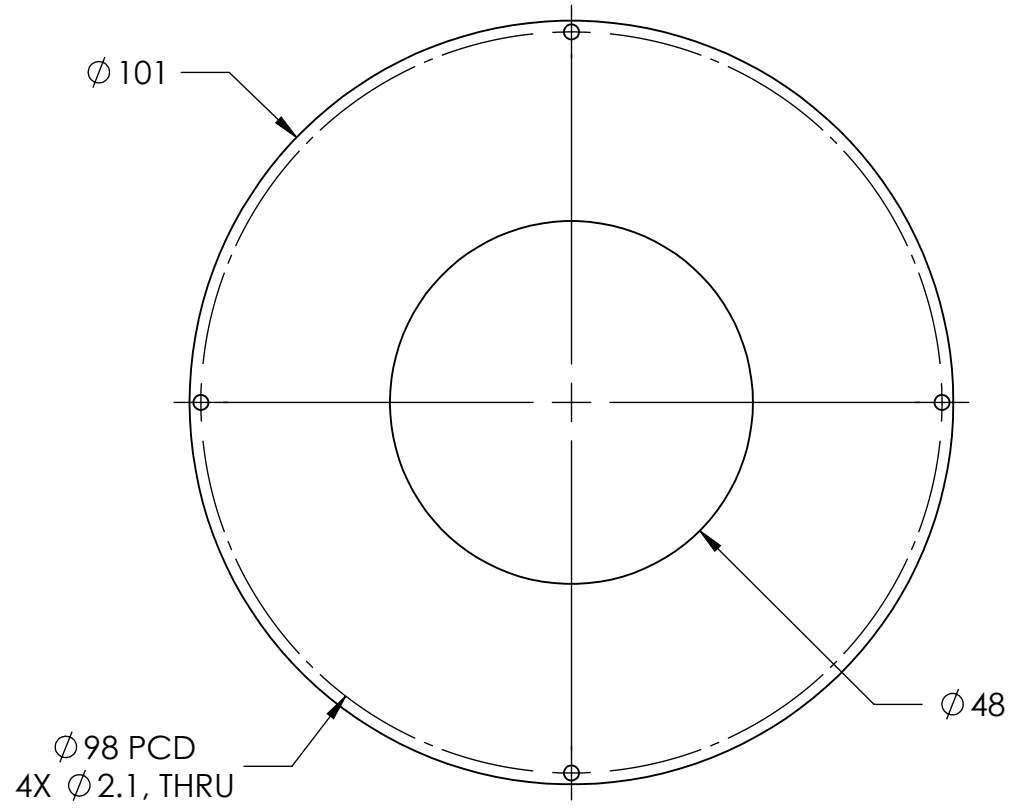
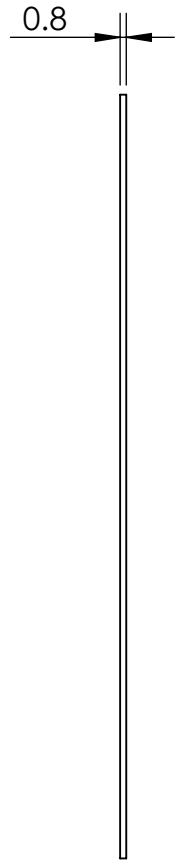


REVISIONS

ZONE	REV.	DESCRIPTIONS	DATE	APP.
------	------	--------------	------	------



COLOR	WAVE LENGHT
RED:	660nm
GREEN:	525nm
BLUE:	470nm
WHITE:	--
IR 850:	850nm
IR 940:	940nm
UV:	380-385nm
RGB:	660nm/525nm/470nm



DESIGN BY	AIMAN	UNIT: MM	PRODUCT SERIES: LSW SERIES				
CHECK BY	KB TAN						
DATE	28/11/2016	REVISION: 01	TITLE	POLARIZER	COLOUR:	-	-
MATERIAL	POLARIZER	SCALE: 2 : 3	PART NO	LSW-15-100-4-X-24V	VOLTAGE:	-	-
FINISHING	-	DWG NO	LSW-15-100-4-X-24V-04(REV01)	POWER:	-	-	-
QTY	1				SHEET 3 OF 3		