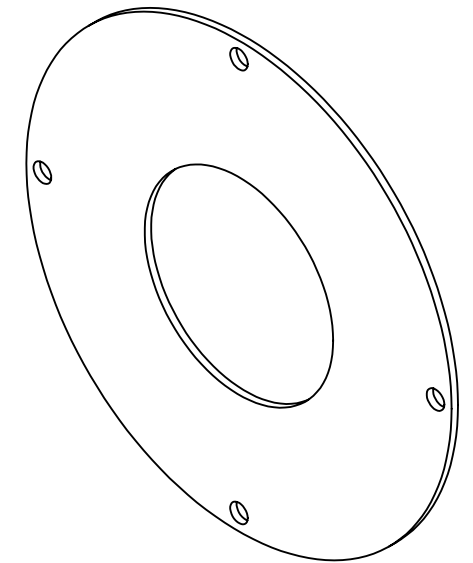
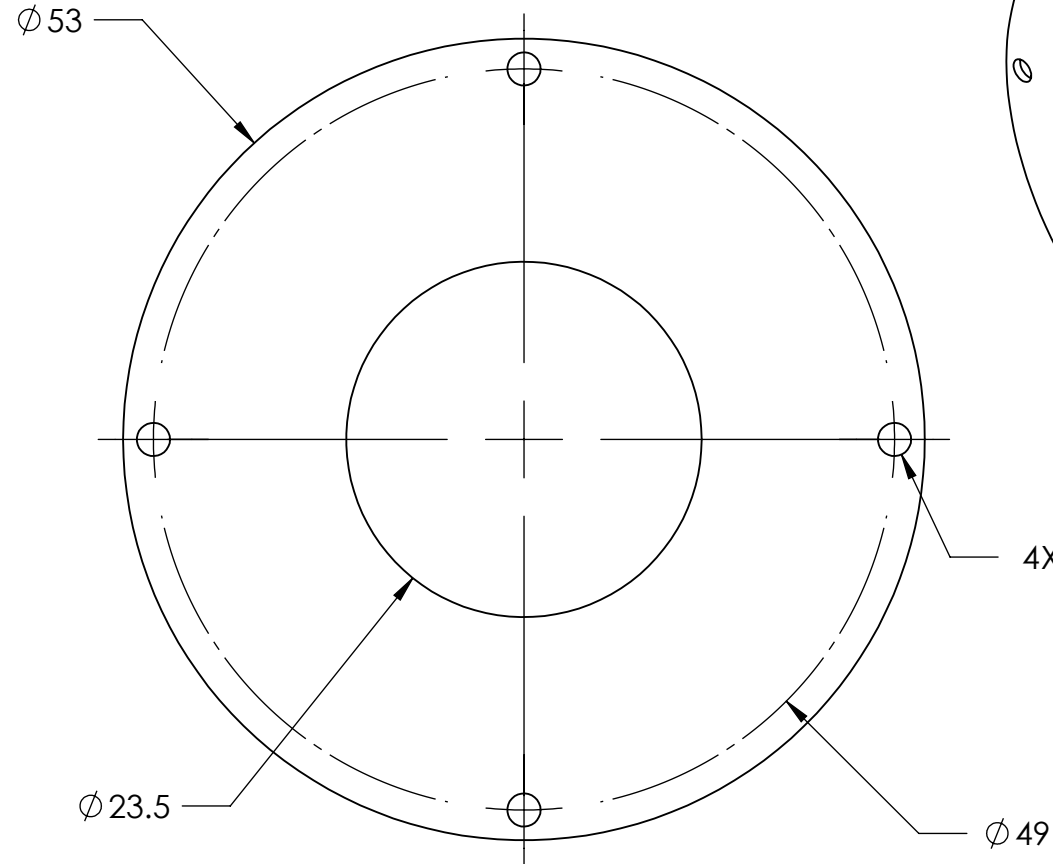
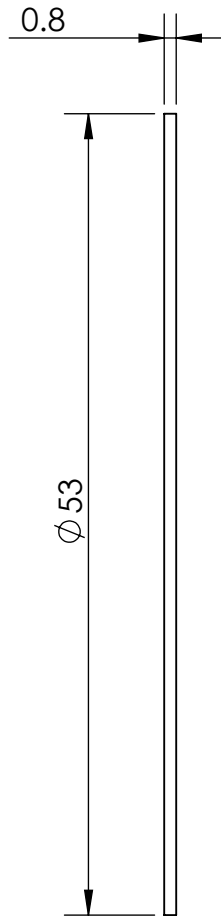


REVISIONS

ZONE	REV.	DESCRIPTIONS	DATE	APP.
------	------	--------------	------	------



COLOR	WAVE LENGHT
RED:	660nm
GREEN:	525nm
BLUE:	470nm
WHITE:	--
IR 850:	850nm
IR 940:	940nm
UV:	380-385nm
RGB:	660nm/525nm/470nm



DESIGN BY	NIZAM	UNIT:	PRODUCT SERIES: LSW SERIES		
CHECK BY	KB TAN	MM			
DATE	2/2/2021	REVISION:			
MATERIAL	POLARIZER	01	TITLE	POLARIZER	
FINISHING	-	SCALE:	PART NO	LSW-30-050-2-X-24V	
QTY	1	2 : 1	DWG NO	LSW-30-050-2-X-24V-04(REV01)	
			COLOUR:	-	-
			VOLTAGE:	-	-
			CURRENT:	-	-
			POWER:	-	-
			SHEET 3 OF 3		