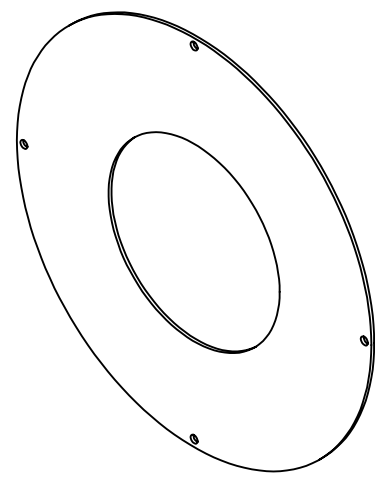
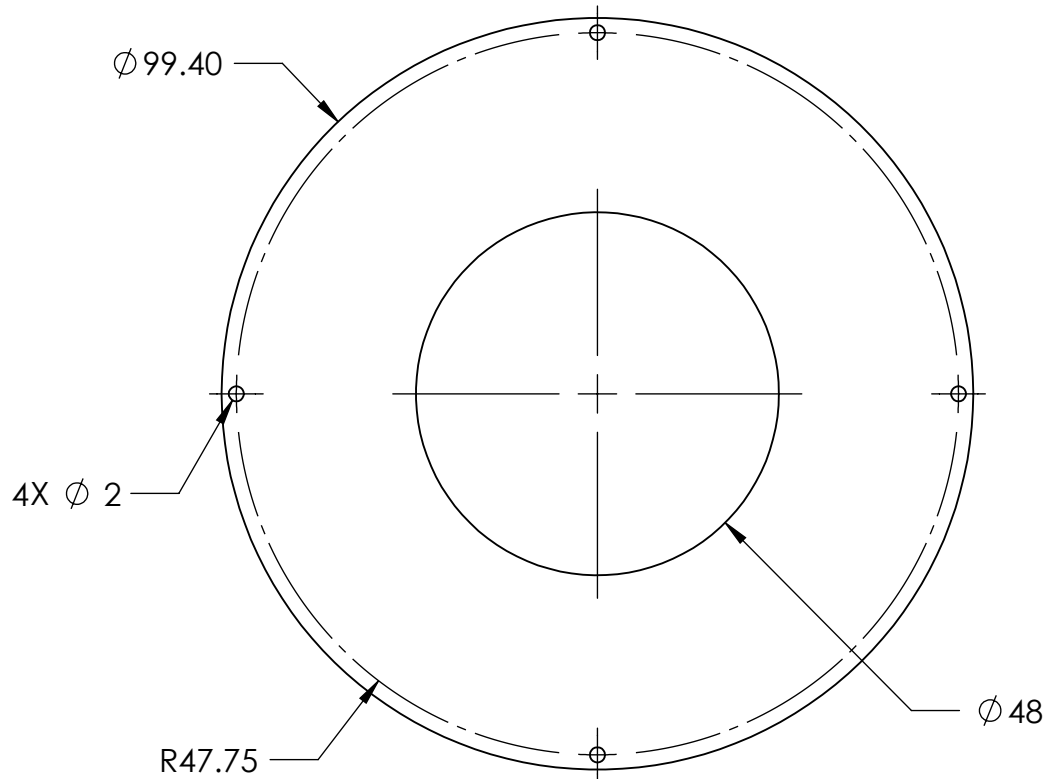
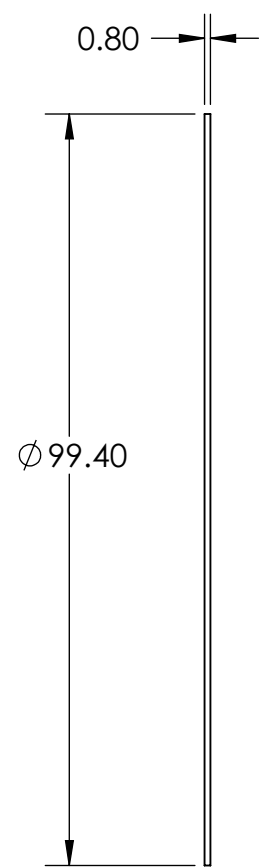


REVISIONS				
ZONE	REV.	DESCRIPTIONS	DATE	APP.



COLOR	WAVE LENGHT
RED:	660nm
GREEN:	525nm
BLUE:	470nm
WHITE:	--
IR 850:	850nm
IR 940:	940nm
UV:	380-385nm
RGB:	660nm/525nm/470nm



DESIGN BY	GP KHAW	UNIT:	PRODUCT SERIES: LSW SERIES		
CHECK BY	EH-LOH	MM			
DATE	15/02/2012	REVISION:			
MATERIAL	POLARIZER FILM	01	TITLE	POLARIZER	
FINISHING	-	SCALE:	PART NO	LSW-45-100-5-X-24V	
QTY	1	1:1	DWG NO	LSW-45-100-5-X-24V-04(REV01)	
			COLOUR:	-	-
			VOLTAGE:	-	-
			CURRENT:	-	-
			POWER:	-	-
			SHEET 4 OF 4		