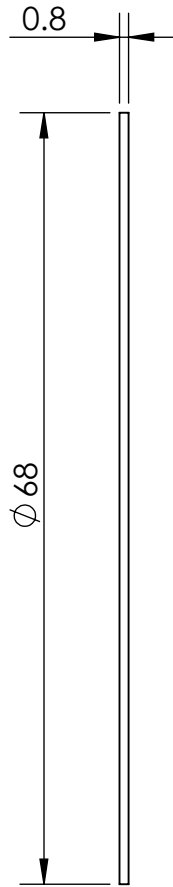
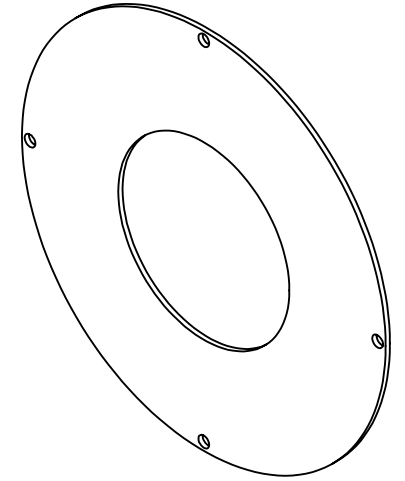
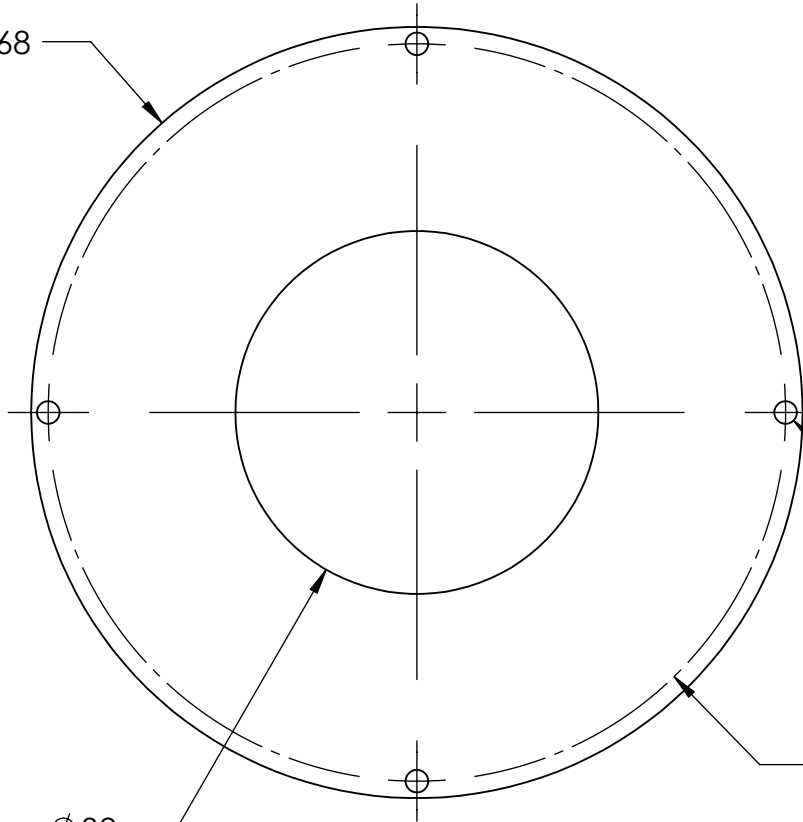


REVISIONS

ZONE	REV.	DESCRIPTIONS	DATE	APP.
------	------	--------------	------	------



Ø 68



COLOR	WAVE LENGHT
RED:	660nm
GREEN:	525nm
BLUE:	470nm
WHITE:	--
IR 850:	850nm
IR 940:	940nm
UV:	380-385nm
RGB:	660nm/525nm/470nm



DESIGN BY	FY LEE	UNIT:	MM
CHECK BY	CC-OOI	REVISION:	02
DATE	14/04/2014	SCALE:	3 : 2
MATERIAL	POLARIZER FILM		
FINISHING	-		
QTY	1		

PRODUCT SERIES: LSW SERIES

TITLE	POLARIZER	COLOUR:	-	-
PART NO	LSW-30-070-3-X-24V	VOLTAGE:	-	-
DWG NO	LSW-30-070-3-X-24V-03(REV 02)	CURRENT:	-	-
		POWER:	-	-