

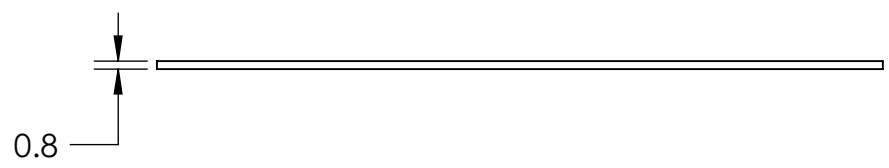
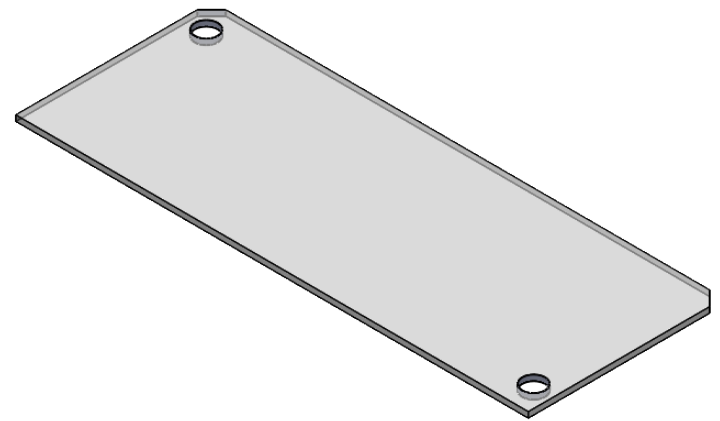
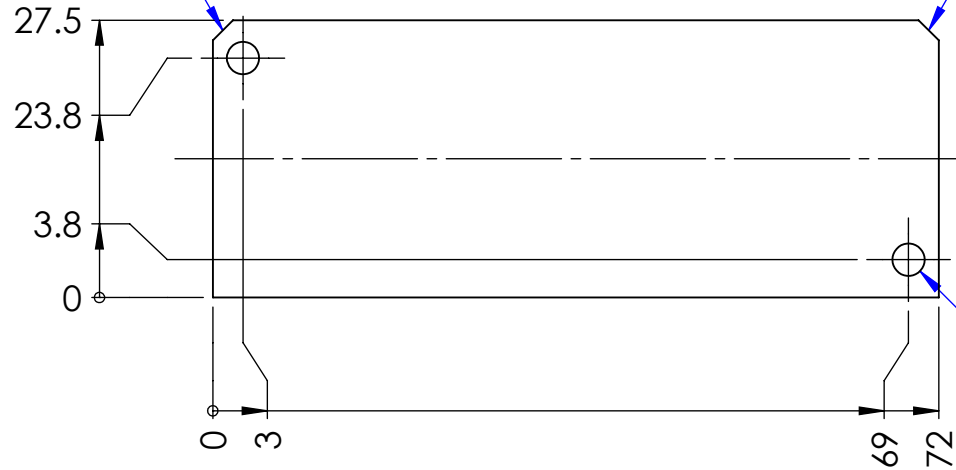
REVISIONS

| ZONE | REV. | DESCRIPTIONS | DATE | APP. |
|------|------|--------------|------|------|
|------|------|--------------|------|------|

2 X 45°

C2 X 45°

2X Ø 3.2 THRU ALL



| COLOR | WAVE LENGHT |
|---------|-------------------|
| RED: | 630nm |
| GREEN: | 525nm |
| BLUE: | 470nm |
| WHITE: | -- |
| IR 850: | 850nm |
| IR 940: | 940nm |
| UV: | 375nm |
| RGB: | 620nm/525nm/470nm |



| | | | | | | | | |
|-----------|----------------|-----------|-----------------------------------|-------------------------------|-------------|--------------|---|---|
| DESIGN BY | AFIZA | UNIT: | MM | PRODUCT SERIES : MLBX2 SERIES | | | | |
| CHECK BY | KB TAN | REVISION: | 01 | | | | | |
| DATE | 17/2/2017 | SCALE: | 1 : 1 | TITLE | POLARIZER-V | COLOUR: | - | - |
| MATERIAL | POLARIZER FILM | PART NO | MLBX2-00-060-2-X-24V | VOLTAGE: | - | - | | |
| FINISHING | - | DWG NO | MLBX2-00-060-2-X-24V-V-05 (REV01) | CURRENT: | - | - | | |
| QTY | 1 | | | POWER: | - | - | | |
| | | | | | | SHEET 5 OF 5 | | |