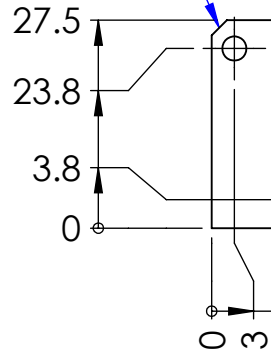


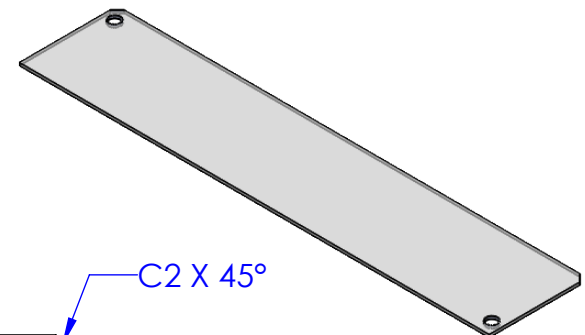
REVISIONS

ZONE	REV.	DESCRIPTIONS	DATE	APP.
------	------	--------------	------	------

C2 X 45°

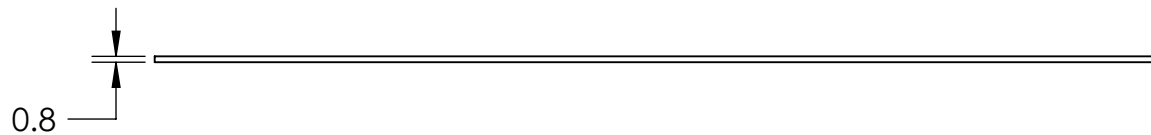


C2 X 45°



2X Ø 3.20 THRU ALL

129
132



COLOR	WAVE LENGHT
RED:	630nm
GREEN:	525nm
BLUE:	470nm
WHITE:	--
IR 850:	850nm
IR 940:	940nm
UV:	375nm
RGB:	620nm/525nm/470nm



DESIGN BY	AFIZA	UNIT:	MM		
CHECK BY	KB TAN	REVISION:	01		
DATE	17/2/2017	SCALE:	1 : 1		
MATERIAL	POLARIZER FILM	TITLE	POLARIZER-V		
FINISHING	-	PART NO	MLBX2-00-120-2-X-24V		
QTY	1	DWG NO	MLBX2-00-120-2-X-24V-V-05 (REV01)		
		COLOUR:	-	-	-
		VOLTAGE:	-	-	-
		CURRENT:	-	-	-
		POWER:	-	-	-
		SHEET 5 OF 5			

PRODUCT SERIES : MLBX2 SERIES