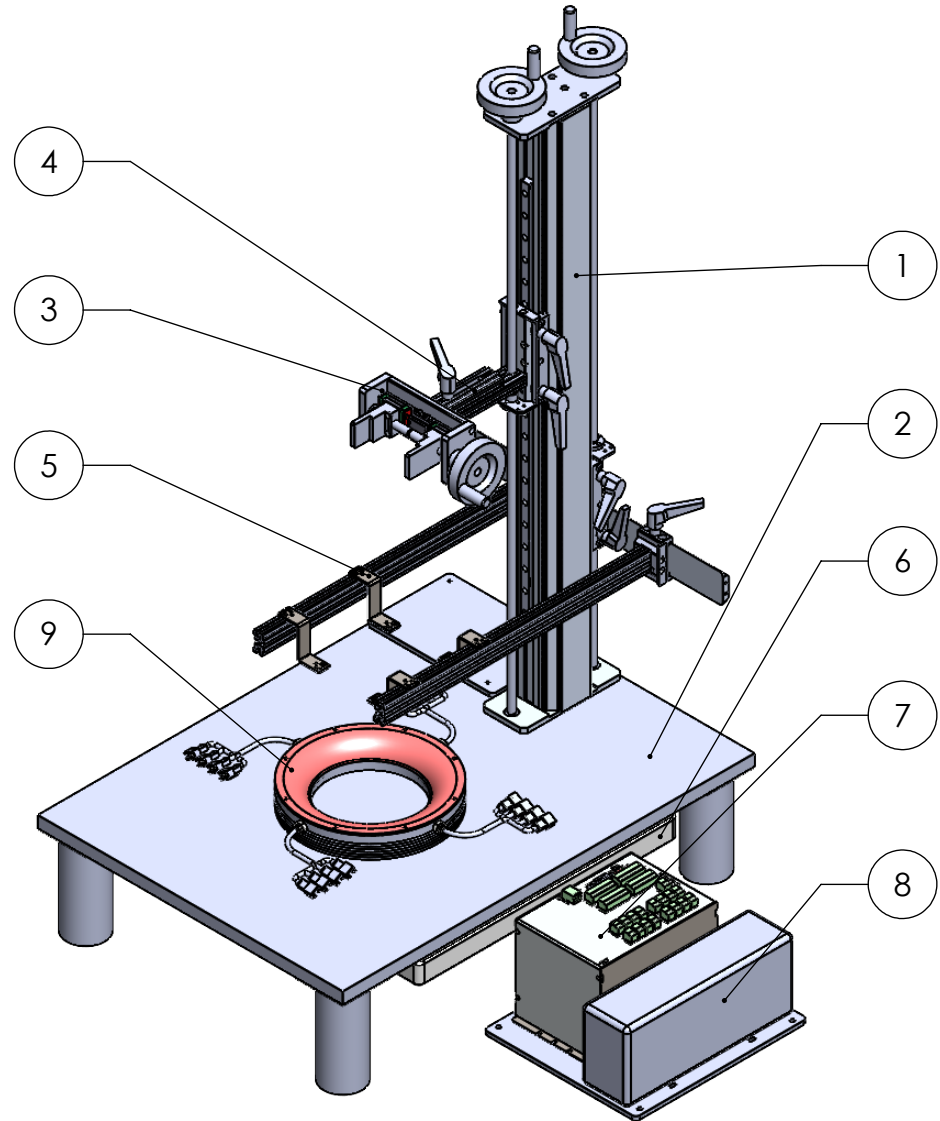


ITEM NO.	PART NUMBER
1	VT-4SIDE-ADJUSTMENT-SLIDER
2	White Base Plate (400X540X15MM)
3	PTS-UCM-V3
4	M6-80&100
5	CM-328-COMBINE BRACKET
6	Extension Plug
7	LC-20-SQ-16CH-A1
8	24V POWER SUPPLY
9	HPD-00-170-1-RGBW-24V



DESIGN BY	KANG	UNIT:	PRODUCT SERIES: SERIES -	
CHECK BY	KANG	MM		
DATE	30/5/2022	REVISION:	TITLE	EXPLODED LAYOUT
MATERIAL	-	01	PART NO	PTS2-V-U-AJM-UCM-HPD-RGBW-16CH-LC-20
FINISHING	-	SCALE:	DWG NO	-
QTY	-	1 : 1	SHEET 1 OF 1	

