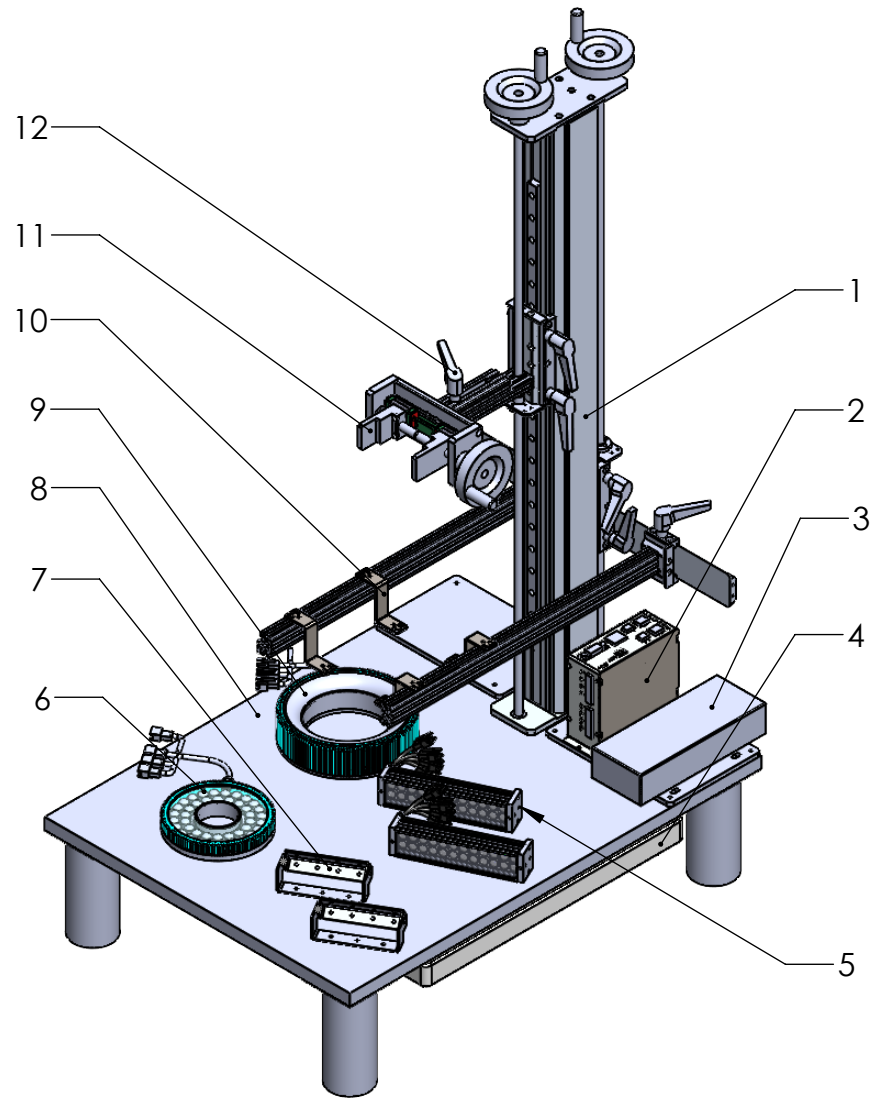


ITEM NO.	PART NUMBER
1	VT-4SIDE-ADJUSTMENT-SLIDER
2	LC-18-4CH-RGBW-A1
3	24V POWER SUPPLY
4	Extension Plug
5	MLBX2-00-120-2-RGBW-24V
6	LSW2-00-100-2-RGBW-24V
7	Rotate Bracket Barlight
8	White Base Plate (400MMX540MMX15MM)
9	HPD2-00-130-1-RGBW-24V
10	CM-328-COMBINE BRACKET
11	PTS-UCM-V3
12	M6-80&100



DESIGN BY	KANG	UNIT:	MM	PRODUCT SERIES: SERIES -	
CHECK BY	KANG	REVISION:			01
DATE	1/6/2022	SCALE:	1:1	TITLE	EXPLODED LAYOUT
MATERIAL	-	DWG NO	-	PART NO	PTS2-V-U-AJM-UCM-LW-HP-ML-RGBW-LC-18
FINISHING	-				SHEET 1 OF 1
QTY	-				

