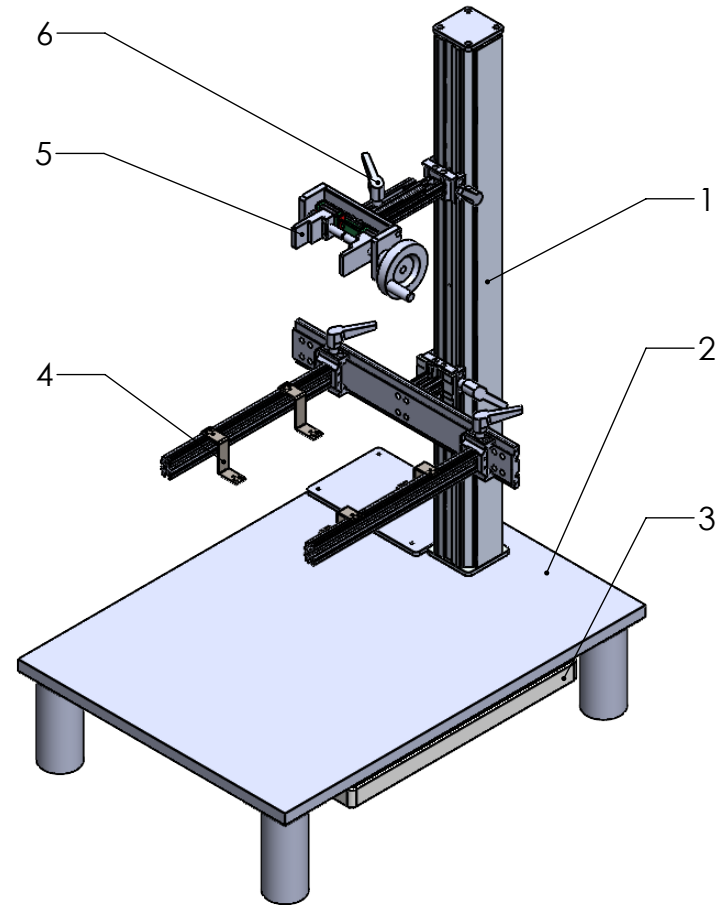


1	2	3	4	5	6	7	8
ITEM NO.	PART NUMBER						
1	VT-4SIDE-SLIDER						
2	White Base Plate (400MMX540MMX15MM)						
3	Extension Plug						
4	MD-328-COMBINE BRACKET						
5	PTS-UCM-V3						
6	M6-80&100						



DESIGN BY	KANG	UNIT: MM	PRODUCT SERIES: SERIES -	
CHECK BY	KANG			
DATE	1/6/2022	REVISION: 01	TITLE	EXPLODED LAYOUT
MATERIAL	-	SCALE: 1 : 1	PART NO	PTS2-V-U-UCM
FINISHING	-		DWG NO	-
QTY	-			SHEET 1 OF 1