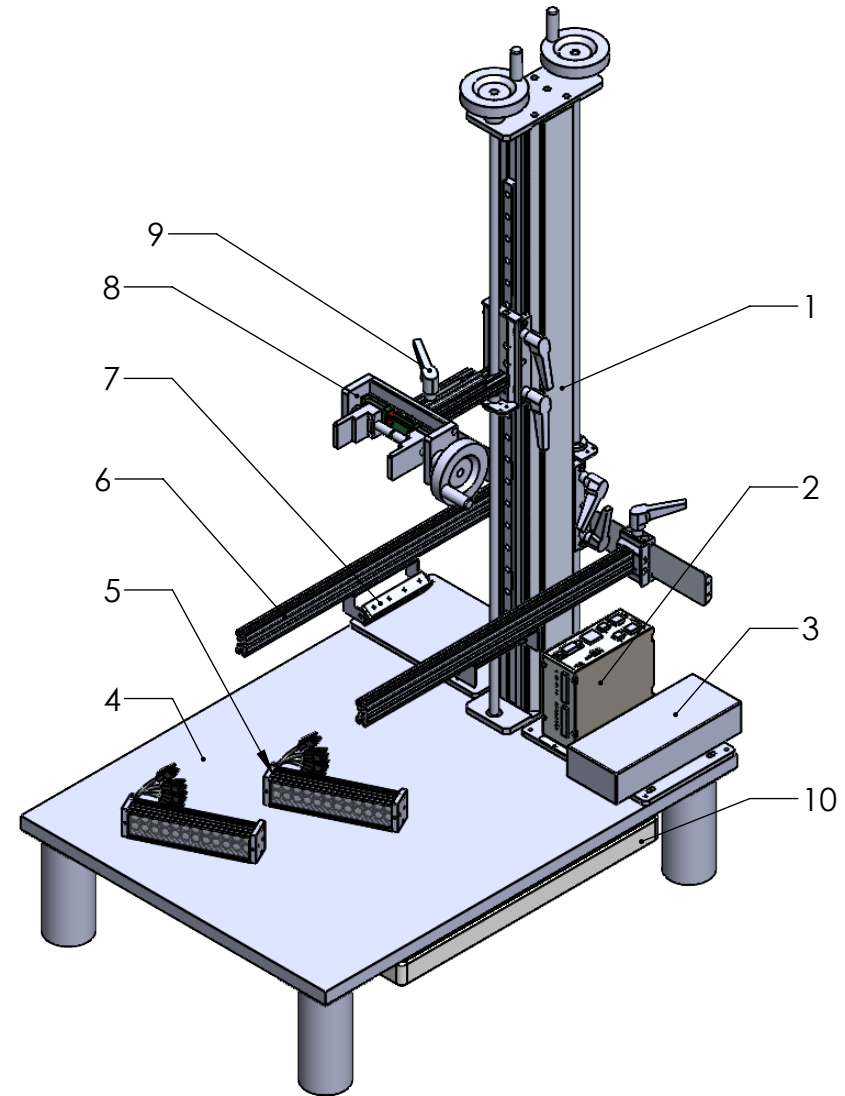


ITEM NO.	PART NUMBER
1	VT-4SIDE-ADJUSTMENT-SLIDER
2	LC-18-4CH-RGBW-A1
3	24V POWER SUPPLY
4	White Base Plate(400MMX540MMX15MM)
5	MLBX2-00-120-2-RGBW-24V
6	CM-328-LIGHTING MOUNTING MODULE
7	Rotate Bracket Barlight
8	PTS-UCM-V3
9	M6-80&100
10	Extension Plug



DESIGN BY	KANG	UNIT:	PRODUCT SERIES: SERIES -	
CHECK BY	KANG	MM		
DATE	1/6/2022	REVISION:		
MATERIAL	-	01	TITLE	EXPLODED LAYOUT
FINISHING	-	SCALE:	PART NO	PTS2-V-U-AJM-UCM-MLBX2-RGBW-LC-18
QTY	-	1 : 1	DWG NO	-
			SHEET 1 OF 1	

