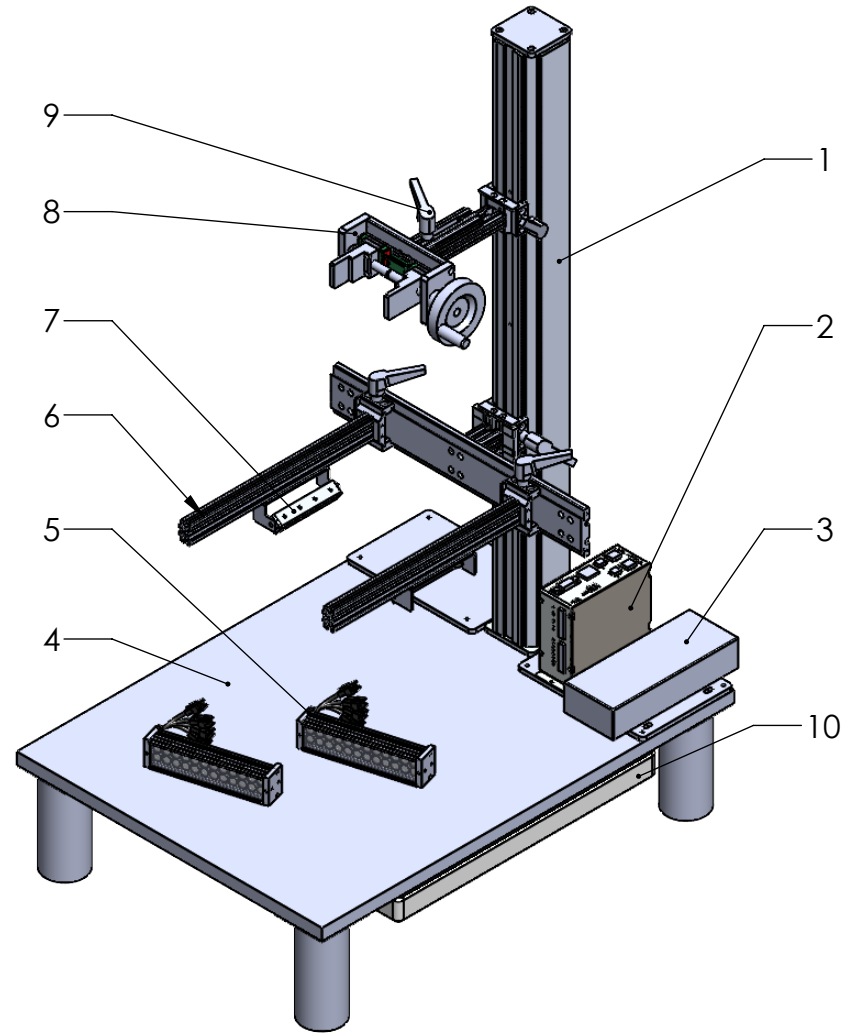


ITEM NO.	PART NUMBER
1	VT-4SIDE-SLIDER
2	LC-18-4CH-RGBW-A1
3	24V POWER SUPPLY
4	White Base Plate(400MMX540MMX15MM)
5	MLBX2-00-120-2-RGBW-24V
6	MD-328-LIGHTING MOUNTING MODULE
7	Rotate Bracket Barlight
8	PTS-UCM-V3
9	M6-80&100
10	Extension Plug



DESIGN BY	KANG	UNIT: MM	PRODUCT SERIES: SERIES -		
CHECK BY	KANG		REVISION:	01	
DATE	1/6/2022	SCALE:	1 : 1	TITLE	EXPLODED LAYOUT
MATERIAL	-	DWG NO	-	PART NO	PTS2-V-U-UCM-MLBX2-RGBW-LC-18
FINISHING	-				SHEET 1 OF 1
QTY	-				

