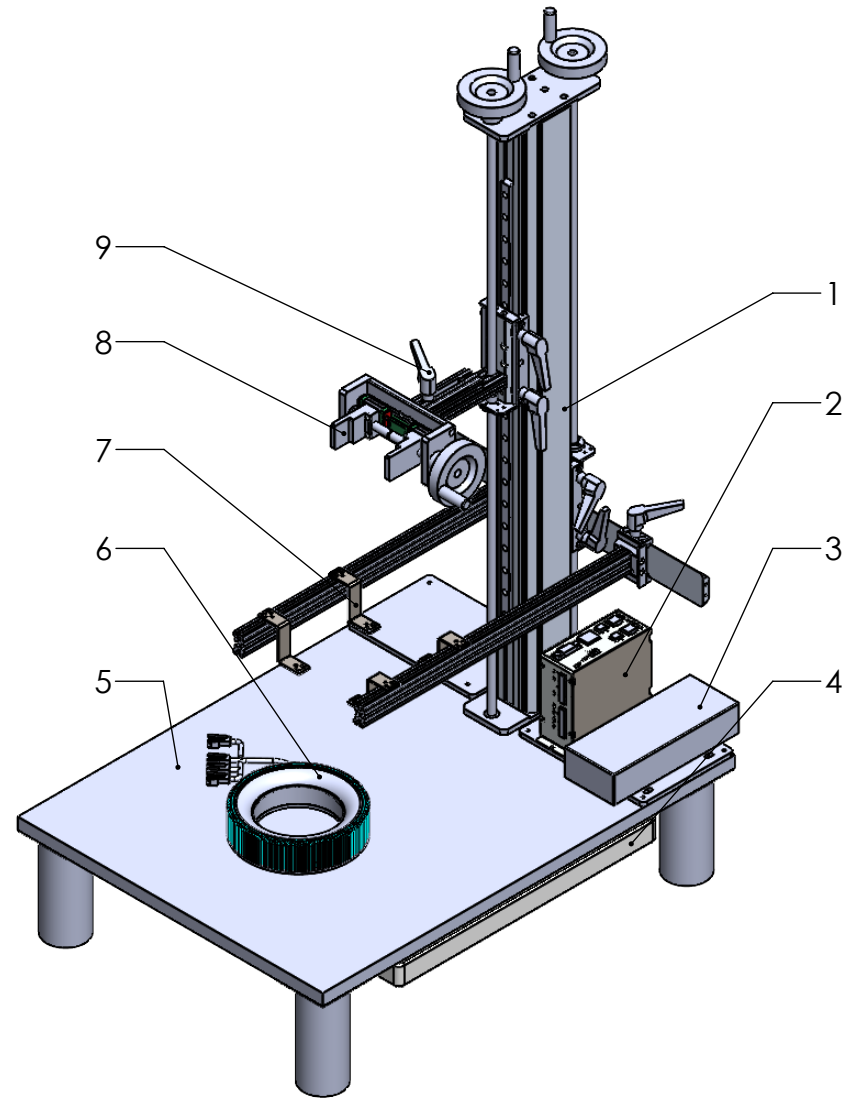


ITEM NO.	PART NUMBER
1	VT-4SIDE-ADJUSTMENT-SLIDER
2	LC-18-4CH-RGBW-A1
3	24V POWER SUPPLY
4	Extension Plug
5	White Base Plate (400MMX540MMX15MM)
6	HPD2-00-130-1-RGBW-24V
7	CM-328-COMBINE BRACKET
8	PTS-UCM-V3
9	M6-80&100



DESIGN BY	KANG	UNIT: MM	PRODUCT SERIES: SERIES -		
CHECK BY	KANG		REVISION:	01	
DATE	1/6/2022	SCALE:	1 : 1	TITLE	EXPLODED LAYOUT
MATERIAL	-	DWG NO	-	PART NO	PTS2-V-U-AJM-UCM-HPD2-RGBW-LC-18
FINISHING	-				SHEET 1 OF 1
QTY	-				

