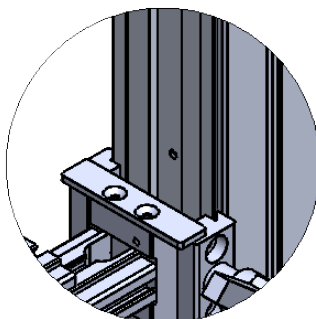


CAMERA CLAMP  
MIN: 25.5  
MAX: 65



DETAIL A  
SCALE 1 : 2

EXTENSION PLUG

ADJUSTABLE LEG

**ADJUSTMENT-700MM-NA**

DESIGN BY	KANG	UNIT: MM	PRODUCT SERIES: PTS2 SERIES	
CHECK BY	KANG			
DATE	19/4/2022	REVISION:	TITLE	DRAWING LAYOUT
MATERIAL	-	01	PART NO	PTS2-V-U-UCM
FINISHING	-	SCALE:	DWG NO	-
QTY	-	1 : 1	SHEET 1 OF 1	

