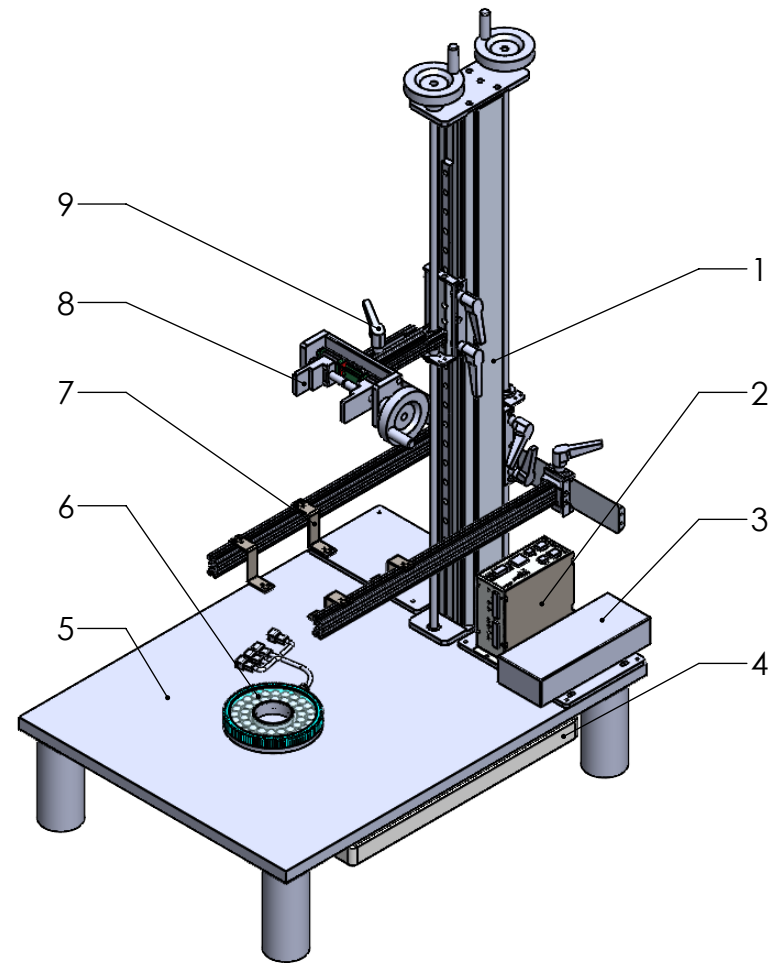


1	2	3	4	5	6	7	8
ITEM NO.	PART NUMBER						
1	VT-4SIDE-ADJUSTMENT-SLIDER						
2	LC-18-4CH-RGBW-A1						
3	24V POWER SUPPLY						
4	Extension Plug						
5	White Base Plate (400MMX540MMX15MM)						
6	LSW2-00-100-2-RGBW-24V						
7	CM-328-COMBINE BRACKET						
8	PTS-UCM-V3						
9	M6-80&100						



DESIGN BY	KANG	UNIT:	PRODUCT SERIES: SERIES -	
CHECK BY	KANG	MM		
DATE	1/6/2022	REVISION:	TITLE	EXPLODED LAYOUT
MATERIAL	-	01	PART NO	PTS2-V-U-AJM-UCM-LSW2-RGBW-LC-18
FINISHING	-	SCALE:	DWG NO	-
QTY	-	1 : 1	SHEET 1 OF 1	

