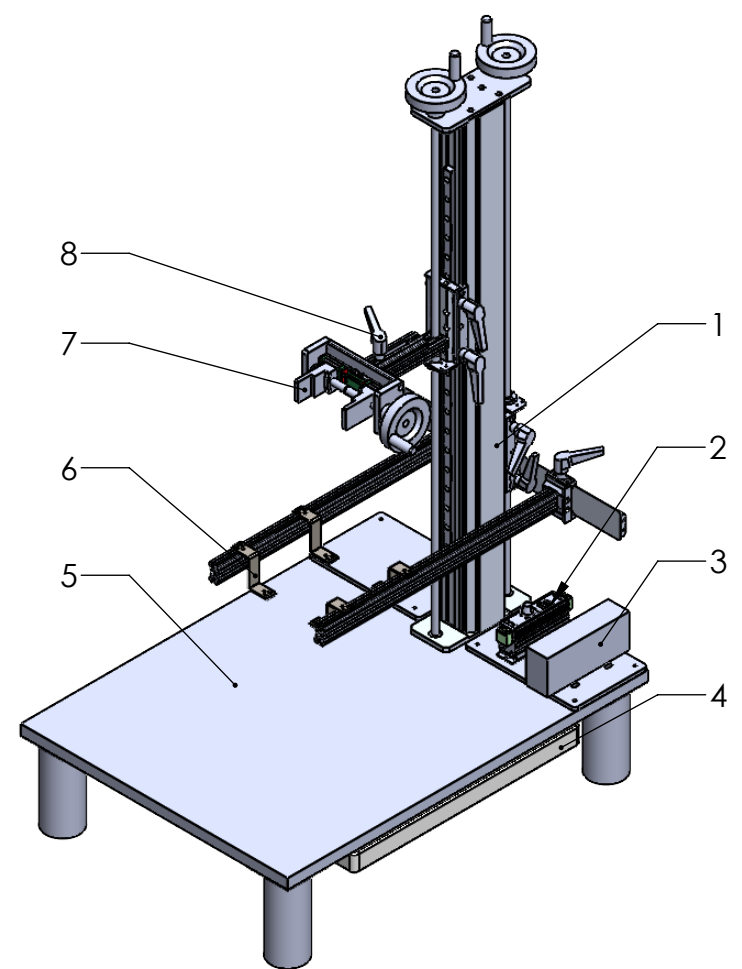


ITEM NO.	PART NUMBER
1	VT-4SIDE-ADJUSTMENT-SLIDER
2	SD-1000-D1
3	24V POWER SUPPLY
4	Extension Plug
5	White Base Plate (400MMX540MMX15MM)
6	CM-328-COMBINE BRACKET
7	PTS-UCM-V3
8	M6-80&100



DESIGN BY	KANG	UNIT:	MM	
CHECK BY	KANG	REVISION:	01	
DATE	1/6/2022	SCALE:	1 : 1	
MATERIAL	-	TITLE	EXPLODED LAYOUT	
FINISHING	-	PART NO	PTS2-V-U-AJM-UCM-SD-1000	
QTY	-	DWG NO	-	
			SHEET 1 OF 1	

