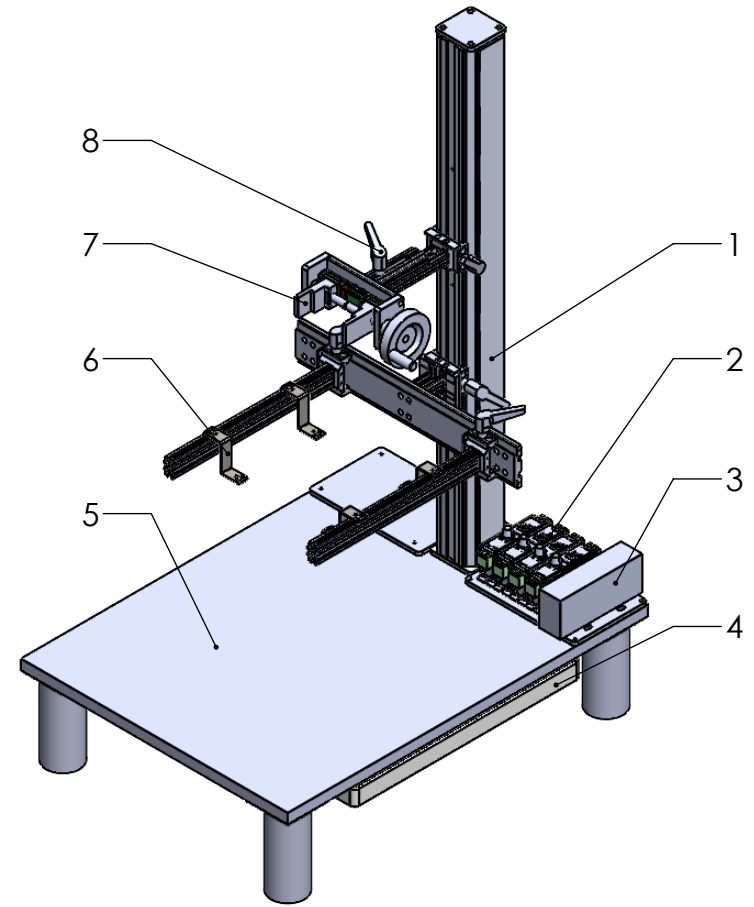


1	2	3	4
ITEM NO.	PART NUMBER		
1	VT-4SIDE-SLIDER		
2	SD-4000-D1		
3	24V POWER SUPPLY		
4	Extension Plug		
5	White Base Plate (400MMX540MMX15MM)		
6	MD-328-COMBINE BRACKET		
7	PTS-UCM-V3		
8	M6-80&100		



DESIGN BY	KANG	UNIT:	PRODUCT SERIES: SERIES -	
CHECK BY	KANG	MM		
DATE	1/6/2022	REVISION:	TITLE	EXPLODED LAYOUT
MATERIAL	-	01	PART NO	PTS2-V-U-UCM-SD-4000
FINISHING	-	SCALE:	DWG NO	-
QTY	-	1 : 1	SHEET 1 OF 1	