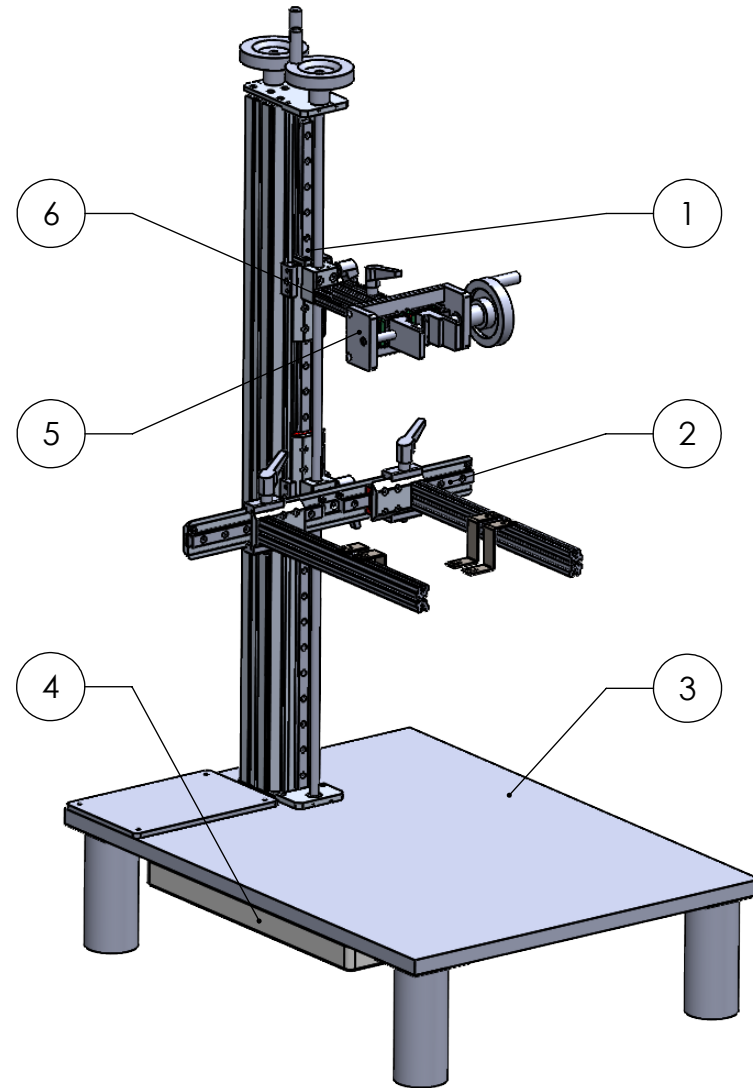


1	2	3	4	5	6	7	8
ITEM NO.	PART NUMBER						
1	VT-4SIDE-670-INNER-ADJUSTMENT-SLIDER						
2	CM-328-SLIDER-COMBINE BRACKET						
3	WHITE BASE PLATE						
4	EXTENSION PLUG						
5	PTS-UCM-V3						
6	M6-80-85						



DESIGN BY	KANG	UNIT:	MM	
CHECK BY	KANG	REVISION:	01	
DATE	26/10/2022	SCALE:	1 : 1	
MATERIAL	-	TITLE	EXPLODED LAYOUT	
FINISHING	-	PART NO	PTS3-V-U-AJM-UCM	
QTY	-	DWG NO	-	
			SHEET 1 OF 1	

